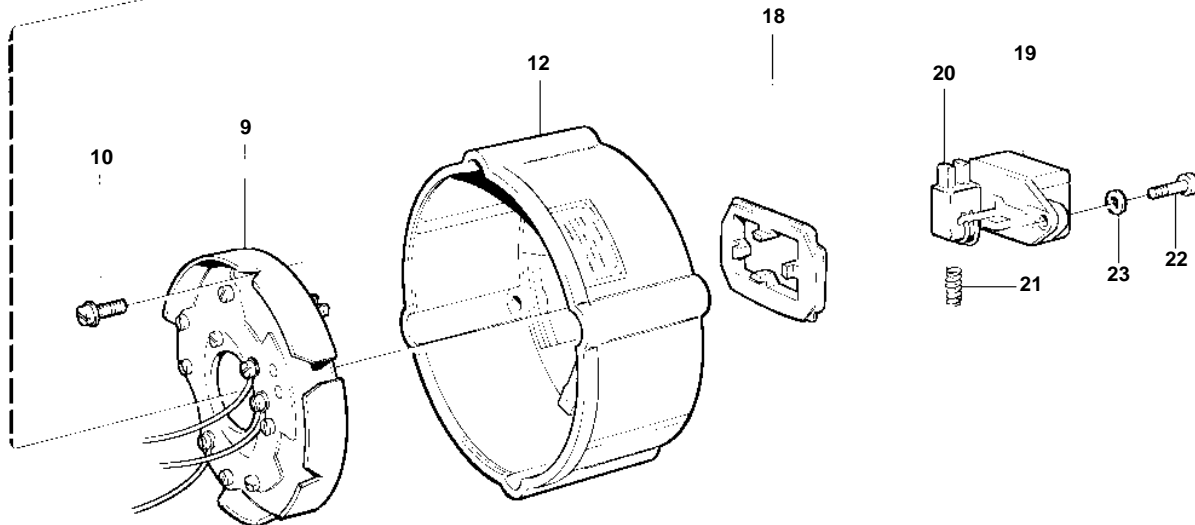
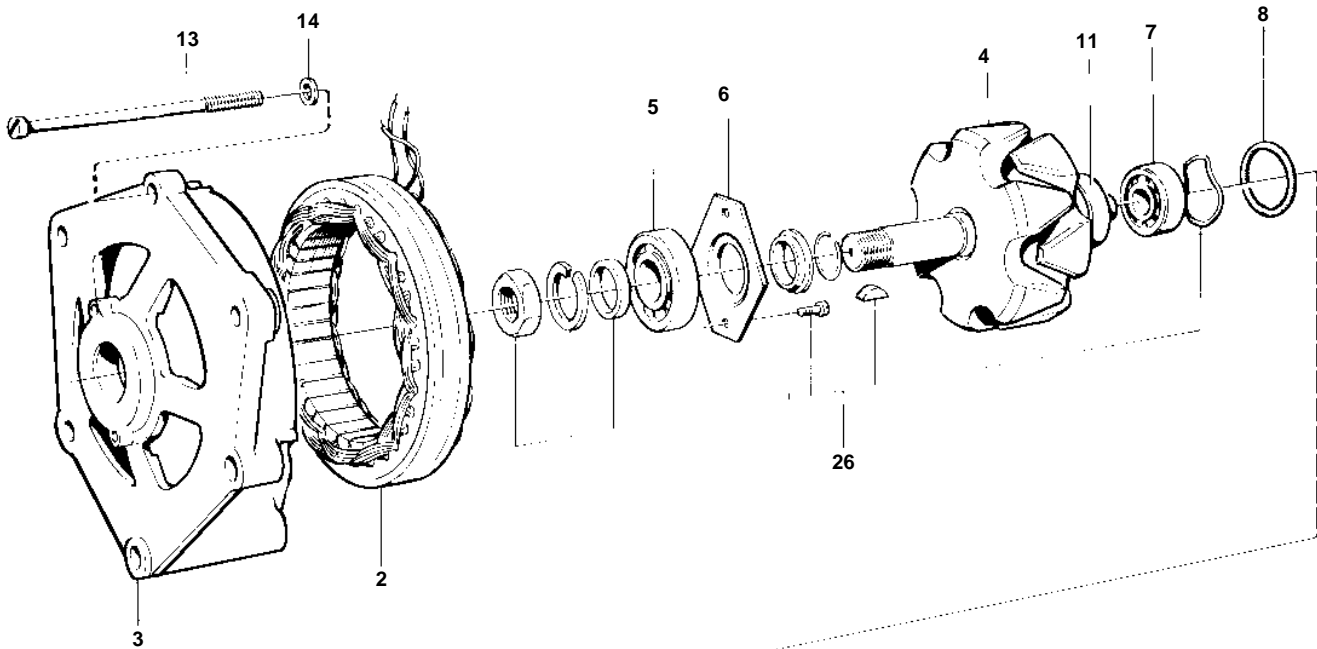


①



REF	PART NO.	QTY	DESCRIPTION	NOTES
1	1578140	1	Alternator	28V 45A. FOR 24 VOLTAGE ELECTRIC SYSTEM.
2	244345	1	· Stator	
3	244339	1	· Housing	
4	244340	1	· Rotor	
5	183486	1	· Ball bearing	
6	243287	1	· Bearing carrier	
7	244328	1	· Ball bearing	
8	244331	1	· O-ring	
9	244343	1	· Diode plate	
10	244336	3	· Screw	
11	844839	1	· Slip ring	
12	244342	1	· Housing	
13	3523052	4	· Screw	(243956)
14	25261	4	· Washer	
15	244347	1	· Capacitor	
16	241138	1	· Screw	
17	941905	1	· Spring washer	(241136)
18	244338	1	· Gasket	
19	1625880	1	· Charge regulator	(1606935)
20	244490	1	· Carbon brush set	
21	1323485	2	· Spring	
22	243098	2	· Screw	
23	941904	2	· Spring washer	
24	76614	2	· Rubber collar	
25	273573	1	· Mounting kit	
26	273503	1	· Small parts kit	